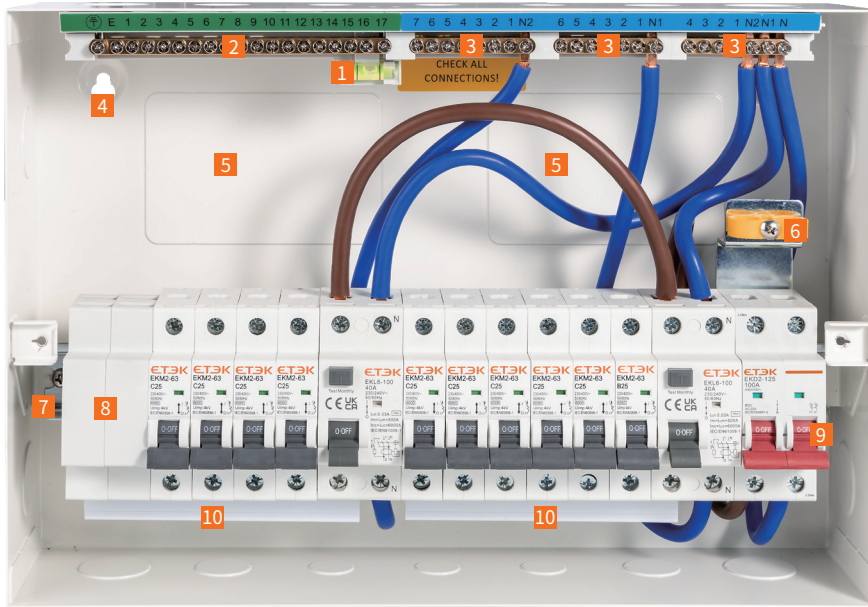


Overview

ETEK EKDB6S Consumer units are constructed of non-combustible and rugged metal casings. It offers flexible versatile solutions for electrical installations.



- 1 Integrated spirit level for mounting
- 2 Earth terminals
- 3 Neutral terminals
- 4 Key holes for easy mounting
- 5 Large space for wiring
- 6 Mains tail clamp
- 7 Keyway DIN rail
- 8 Multi-function DIN rail blank
- 9 Lock off capabilities
- 10 Snap-able busbar

Features

- Backed out and captive combi-head screws, allows simple and speedy installation.
- Easily removable Din Rail.
- Color coded earth and neutral terminal locked at top of unit for ease of wiring.
- Fixing holes Tripod fixing to cope with uneven surfaces.
- Supporting Din Rail 'T' Bar Additional support to prevent bowing.

Consumer Unit Selection Guide

- Determine the type of consumer unit configuration required. e.g Split Load, Split Load, RCD Incomer, Dual RCD, High Integrity or Duplex. For each Switch Disconnecter or RCD to be used allow 2 modular ways.
- Determine the number of outgoing circuits required. e.g Cooker, Lighting, Ring Main etc. For each circuit to be protected by an MCB or RCBO allow 1 modular way.
- Determine the number of 'spare' modular ways required for future upgrades.
- Now add together the total number of modular ways required.
- Select from our range of Metal consumer units choose the type and size most appropriate for your requirements.

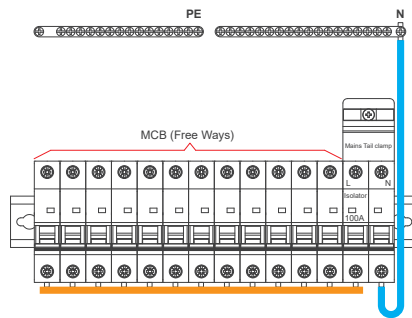
Note

All our consumer units are supplied with complete complement of earth and neutral terminals along with marking labels, Keyway DIN rail.

At the same time, we also provide Mains Tail Clamp, Snap-able busbar, Busbar Caps, DIN rail blank, Retrofit Locking Device, Grommet Strip, Link Cables, and other related accessories. If you have any need, you can confirm before placing an order.

Main Switch Consumer Unit (1N Busbar)

DB Box with 1x2P 100A Isolator

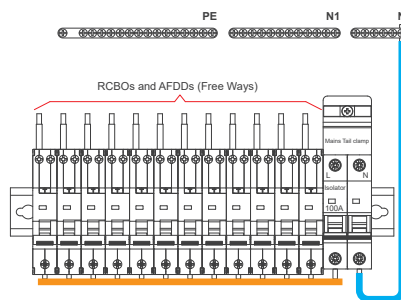


Reference No.	Size of Box	Free Ways
EKDB6S6-IS	6	4
EKDB6S10-IS	10	8
EKDB6S14-IS	14	12
EKDB6S18-IS	18	16
EKDB6S24-IS	24	22

Allows for the use of MCBs, throughout.

Main Switch Consumer Unit (2N Busbars)

DB Box with 1x2P 100A Isolator

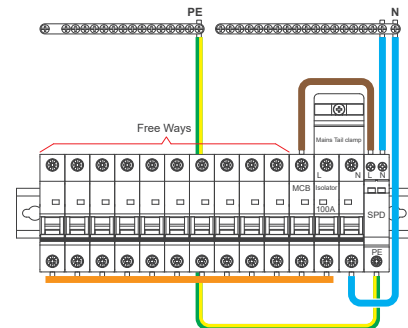


Reference No.	Size of Box	Free Ways
EKDB6S6-IS	6	4
EKDB6S10-IS	10	8
EKDB6S14-IS	14	12
EKDB6S18-IS	18	16
EKDB6S24-IS	24	22

Allows for the use of RCBOs and AFDDs throughout.

Main Switch Consumer Unit with Surge Protection (1 module wide SPD)

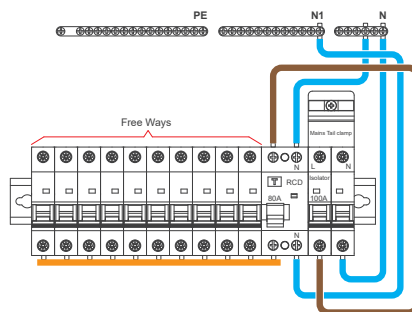
DB Box with 1x40kA T2 SPD(1P+NPE)+1x2P 100A Isolator +1X1P B32 MCB



Reference No.	Size of Box	Free Ways
EKDB6S10-IS-SPD	10	6
EKDB6S14-IS-SPD	14	10
EKDB6S18-IS-SPD	18	14
EKDB6S24-IS-SPD	24	20

Split Load Consumer Unit

DB Box with 1x2P 100A Isolator + 1x2P 80A 30mA RCCB

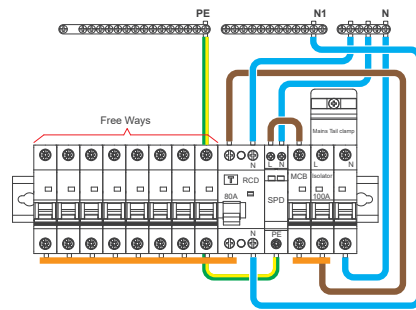


Reference No.	Size of Box	Free Ways
EKDB6S6-IS-RCD	6	2
EKDB6S10-IS-RCD	10	6
EKDB6S14-IS-RCD	14	10
EKDB6S18-IS-RCD	18	14
EKDB6S24-IS-RCD	24	20

An arrangement which allows the use of MCBs, RCBOs & AFDDs immediately following the Main Switch and MCBs following the Split Load RCCB.

Split Load Consumer with Surge Protection (1 module wide SPD)

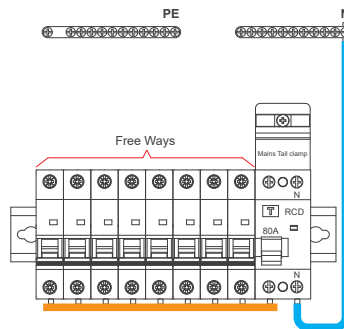
DB Box with 1x2P 100A Isolator + 1X1P B32 MCB + 1x40kA T2 SPD + 1x2P 80A 30mA RCD



Reference No.	Size of Box	Free Ways
EKDB6S14-IS-RCD-SPD	14	8
EKDB6S18-IS-RCD-SPD	18	12
EKDB6S24-IS-RCD-SPD	24	18

RCD Incomer Consumer Unit

DB Box with 1x2P 80A 30mA RCD

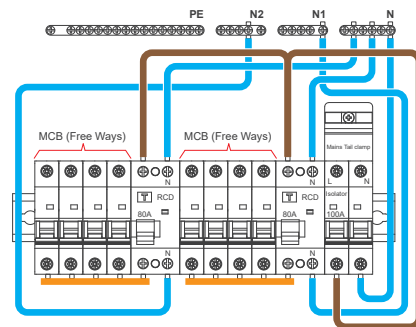


Reference No.	Size of Box	Free Ways
EKDB6S6-RCD	6	4
EKDB6S10-RCD	10	8

Less common than the other types, an RCD incomer does not use a main switch. They are usually used as a sub-board to a main distribution panel.

Dual RCD Consumer Unit

DB Box with 1x2P 100A Isolator + 2x2P 80A 30mA RCD

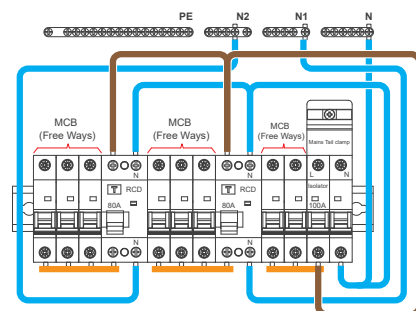


Reference No.	Size of Box	Free Ways
EKDB6S14-RCD2	14	8
EKDB6S18-RCD2	18	12
EKDB6S24-RCD2	24	18

This unit utilizes MCBs throughout divided between two RCCBs. Circuit independence or separate electrical protection cannot be achieved here.

High Integrity Consumer Unit

DB Box with 1x2P 100A Isolator + 2x2P 80A 30mA RCD

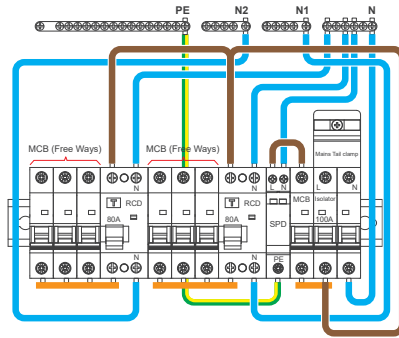


Reference No.	Size of Box	Free Ways
EKDB6S14-IS-RCD2	14	8
EKDB6S18-IS-RCD2	18	12
EKDB6S24-IS-RCD2	24	18

A unit which allows for a number of MCBs used between two RCCBs but retaining provision for a small number of independent MCB, RCBO or AFDD circuits following the Main Switch.

High Integrity Consumer Unit with Surge Protection (1 module wide SPD)

DB Box with 1x2P 100A Isolator + 1X1P B32 MCB + 1x40kA T2 SPD + 2x2P 80A 30mA RCD



Reference No.	Size of Box	Free Ways
EKDB6S14-IS-RCD2-SPD	14	6
EKDB6S18-IS-RCD2-SPD	18	10
EKDB6S24-IS-RCD2-SPD	24	16

Dimension (mm)

